

Garden jargon made simple

We want to make your plant-buying experience as simple as possible. If there is anything you would like to know that is not included in this guide, please email us at ask@simplygogardening.co.uk

Annuals are plants that live for only one season.

Biennials live for two years. In the first season, they grow from seed to become small plants. Then, in the second season, the small plants grow bigger and produce flowers and seeds.

Bonsai is used to describe our olive trees that have been selectively pruned to reduce the size of the leafy crown.

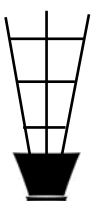
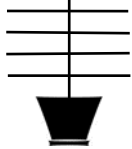
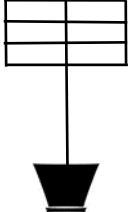
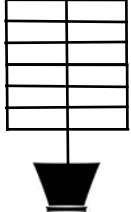
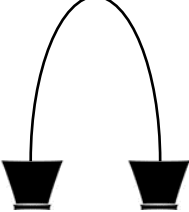

Crown is the upper part of a plant, which includes the branches and leaves.

Deciduous plants lose their leaves in autumn and have bare stems in the winter; they will grow new leaves in the spring.

Evergreens keep most of their leaves throughout winter.

Foliage describes the leaves on a plant.

Frames are made of bamboo canes or metal and are used to shape the plant. Examples of our frames are illustrated below.

Fan	Espalier	Pleached	Frame	Arch	Pyramid
					

Gnarly olive trees have old, bumpy, twisted trunks and branches.

Grafted plants are created when a selected plant is grafted on to a rootstock of the same or a related species to control the vigour of the plant. MM106 is the most popular rootstock for apples sold on Simply Go Gardening because it controls the plant's growth and it can be cultivated in a smaller space.

Hardiness describes the range of temperatures that a plant can cope with.

Hardy plants can withstand all-year-round conditions, including frost.

Herbs are plants that can be used for cooking or flavouring; they are not subject to VAT.







Herbaceous perennials live for three or more years, growing in the spring and dying back in the autumn. For more information see [What should I expect from my herbaceous perennial?](#)

Multistem plants have more than one stem at the base giving them a bushy form.

Organic material is a planting medium or mulch made from plant or animal products.

Planting mediums are soil or compost mixtures for the growing of plants.


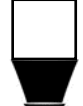


Pot sizes vary. Most of our plants are grown in the larger 2 or 3 litre pots.

9cm	1.5 litre	2 litre	3 litre	5 litre	10 litre
					



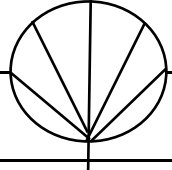



Pruning describes the cutting back of a plant; this depends on the species. It is best to remove dead flowers and other dead material from herbaceous perennials to encourage growth.

Tender plants need winter protection.

Topiary describes a neatly clipped crown. If the plant is described as “loose”, it has not been clipped into a neat shape.

Single ball	Cube	Cone	Spiral
			

Trees are sold by the circumference (girth) of the trunk 1m from the base. The chart below shows approximately how big our trees can be.

Light Standard 6-8cm girth	Standard 8-10cm girth	Select Standard 10-12cm girth	Heavy Standard 12-14cm girth
4m			
3m			
2m			
1m			

Standard plants have a clear stem with a crown of foliage on top, often in a rounded shape.

Mini Standard	Quarter Standard	Half Standard	Standard
Stems less than 70cm	Stems 70-120cm	Stems 120-150cm	Stems more than 150cm
